

Illustrated Parts List

Model Series

10U200

TYPE NUMBERS
0001 through 0020.

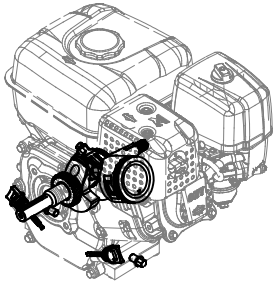
TABLE OF CONTENTS

Air Cleaner	4
Armature	8
Blower Housing	7
Camshaft	2
Carburetor	5
Controls	8
Crankcase Cover	2
Crankshaft	2
Cylinder	2
Cylinder Head	3
Electrical System	8
Exhaust System	4
Flywheel	7
Fuel Supply	6
Gasket Sets	3
Governor Spring	8
Ignition	8
Piston/Rings/Connecting Rod	2
Rewind Starter	7
Spark Plug	8
Warning Label	2



PRINTED IN U.S.A.

COPYRIGHT by BRIGGS & STRATTON CORPORATION
All rights reserved. No part of this material may be reproduced or transmitted,
in any form or by any means, electronic or mechanical, including photocopying,
recording or by any information storage and retrieval system, without permission
in writing from Briggs & Stratton Corporation.



1319 WARNING LABEL

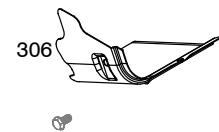
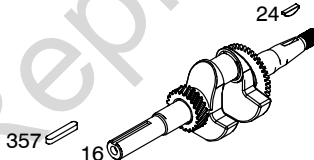
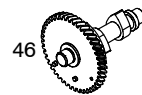
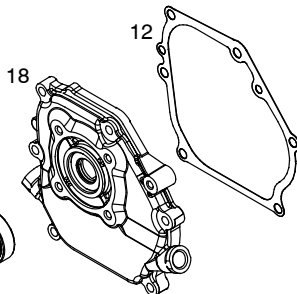
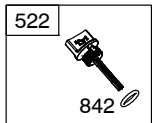
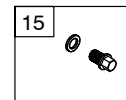
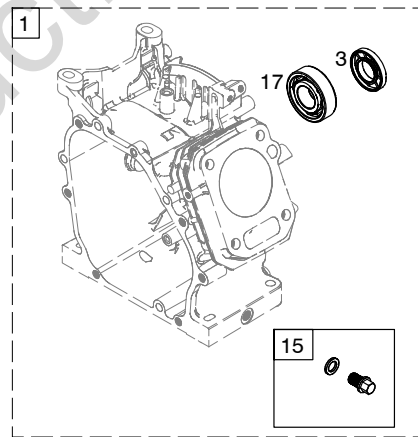
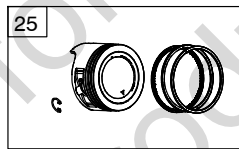
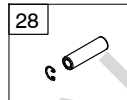
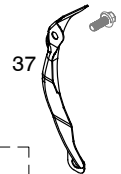
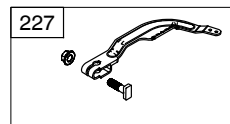
WARNING	
	Read and follow Operating Instructions before running engine.
	Gasoline is flammable. Allow engine to cool at least 2 minutes before refueling.
	Engines emit carbon monoxide, DO NOT run in enclosed area.
	Muffler area temperature may exceed 150°F. Do not touch hot parts.

REQUIRED when replacing parts with warning labels affixed.

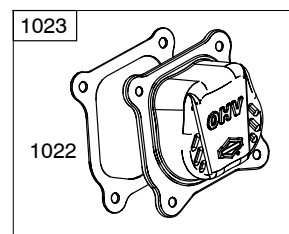
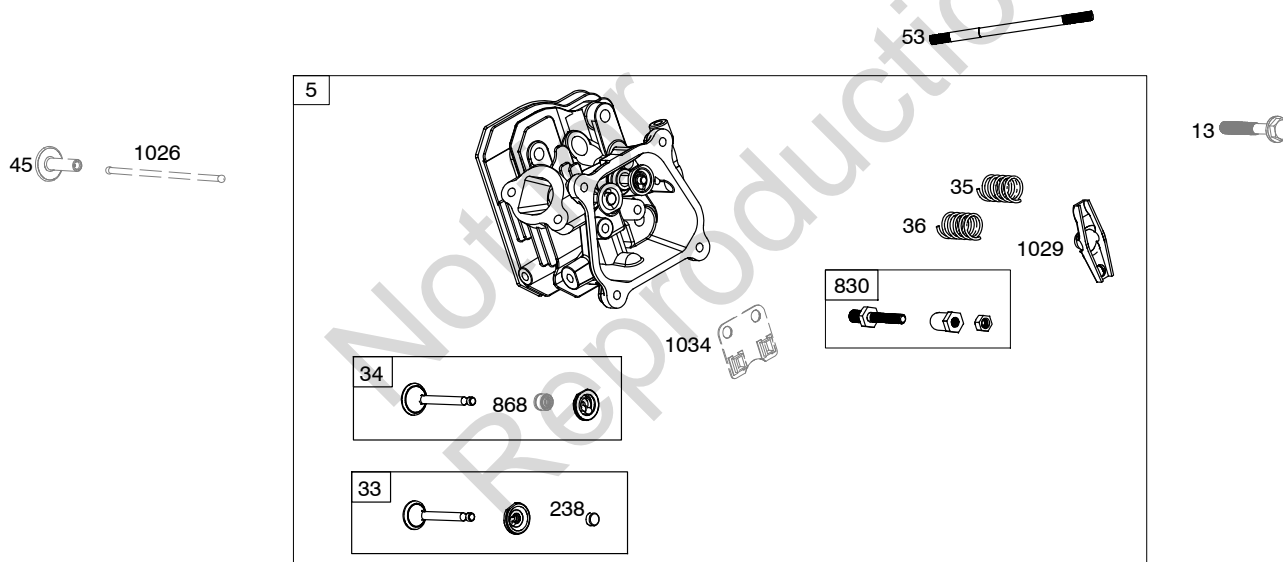
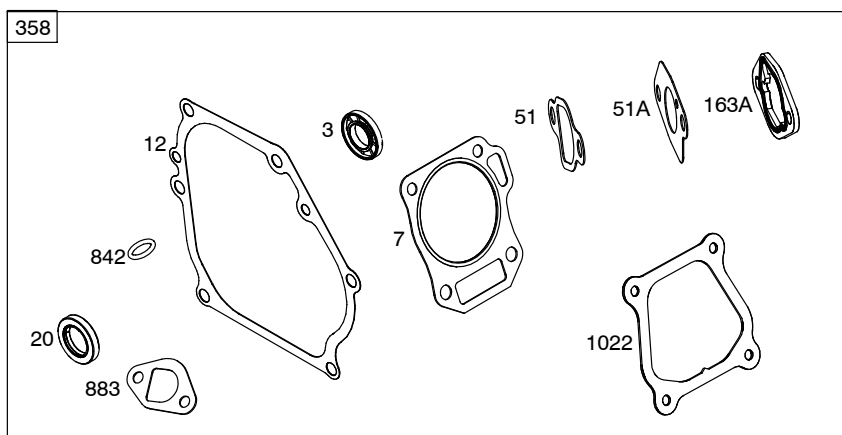
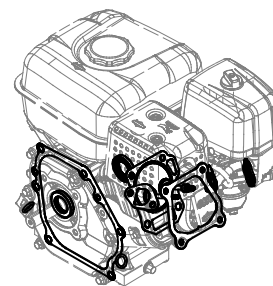
1319A WARNING LABEL

REQUIRED when replacing parts with warning labels affixed.

1036 EMISSIONS LABEL

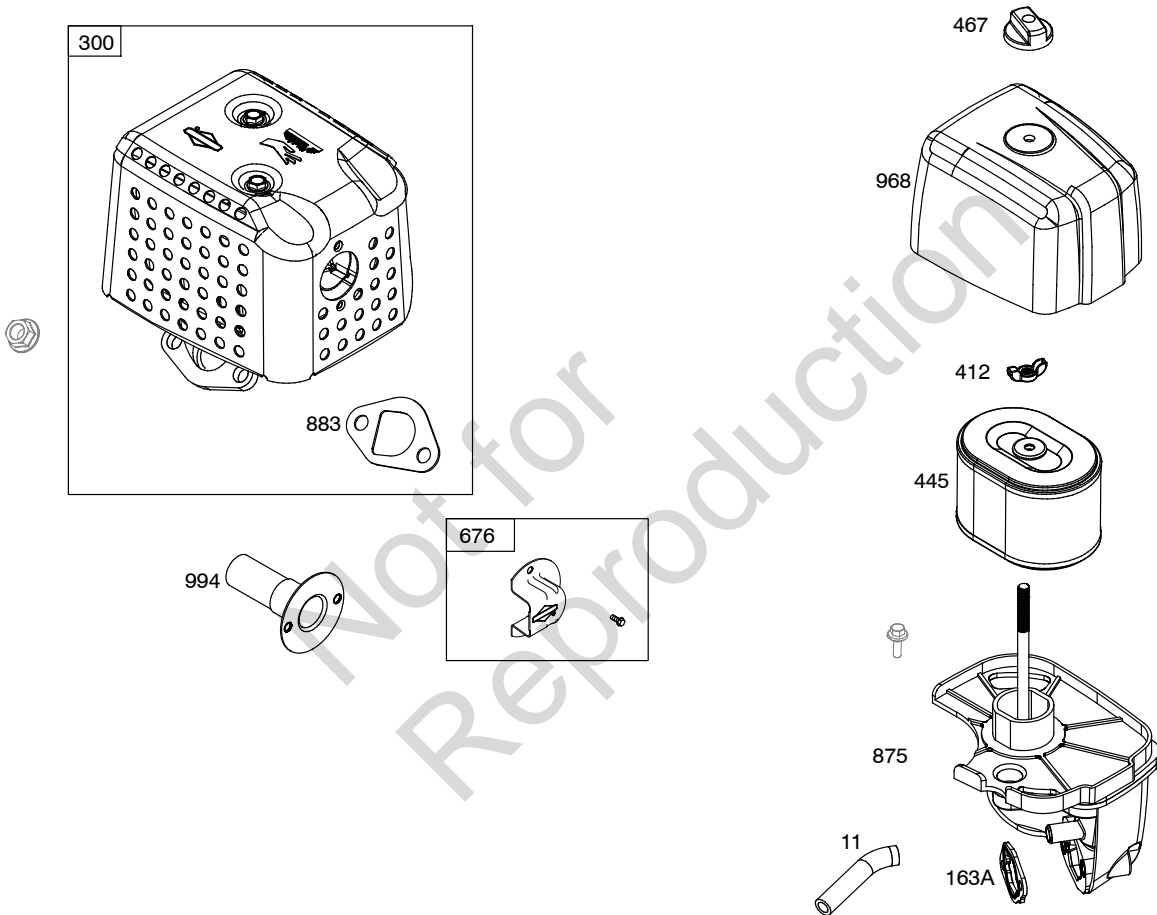
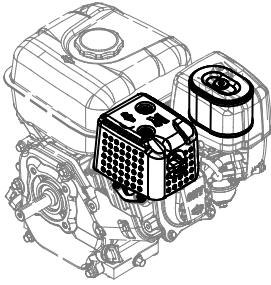


Illustrations cover a range of engines. Parts shown without text may not be used on your specific engine.

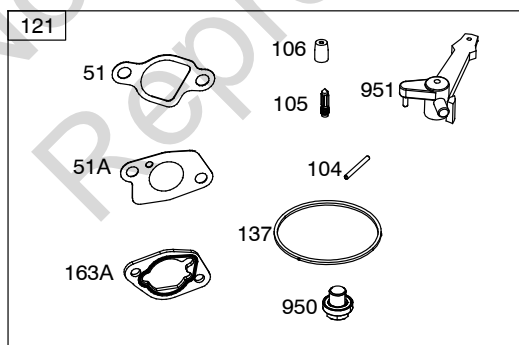
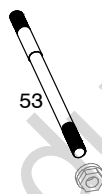
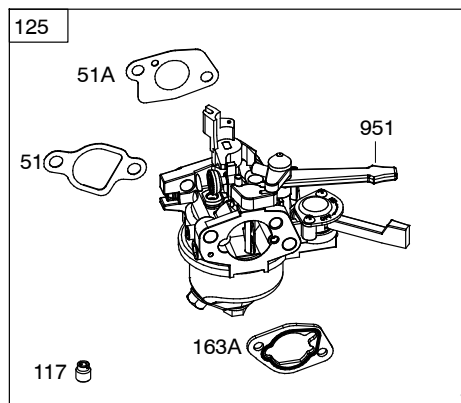
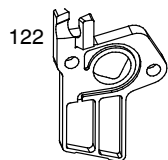
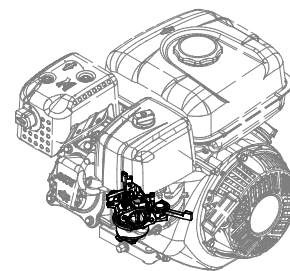


Illustrations cover a range of engines. Parts shown without text may not be used on your specific engine.

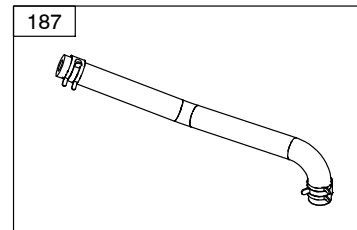
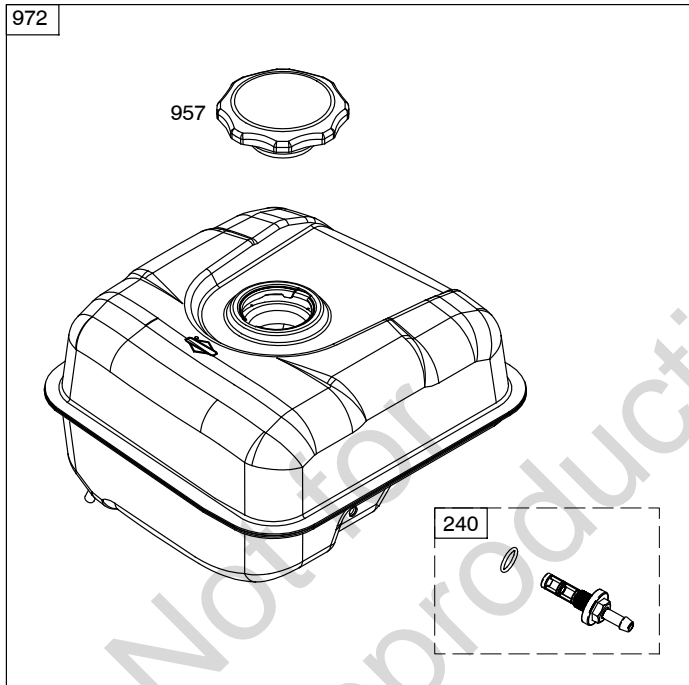
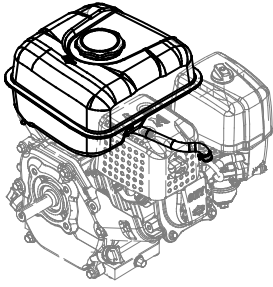
10U200



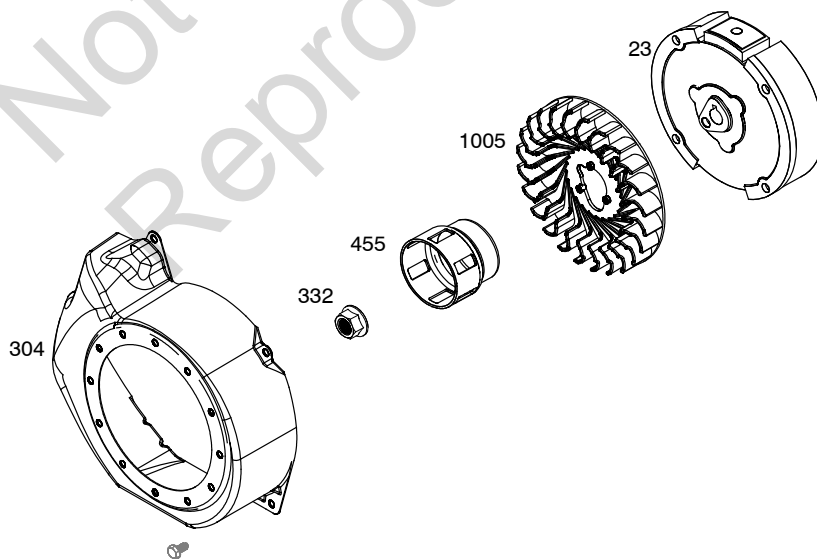
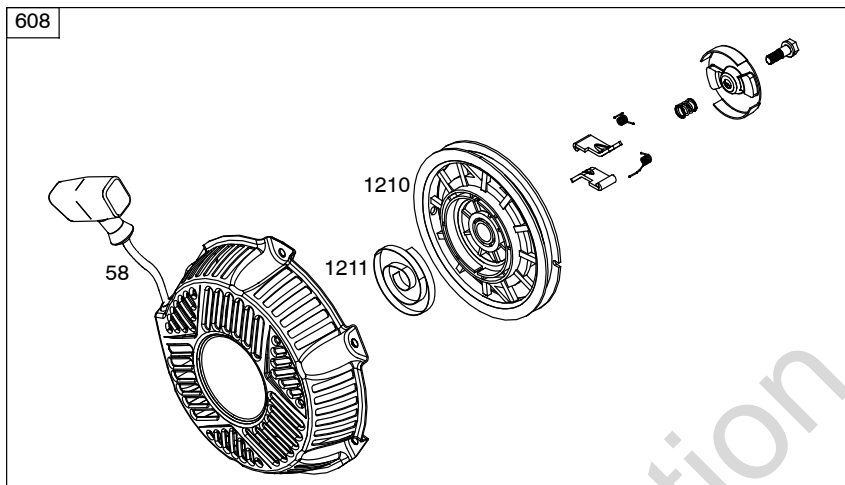
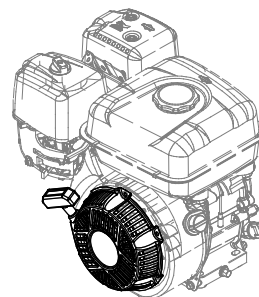
Illustrations cover a range of engines. Parts shown without text may not be used on your specific engine.



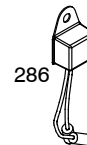
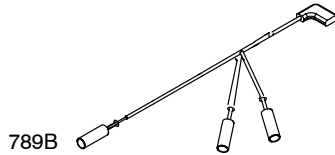
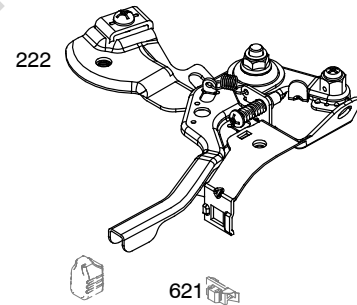
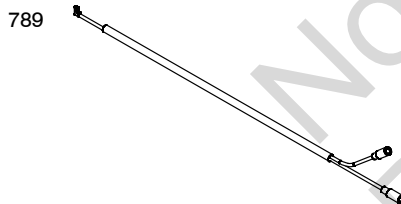
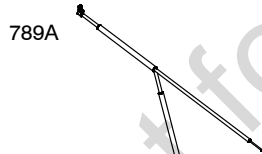
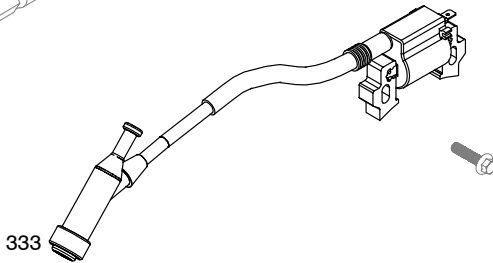
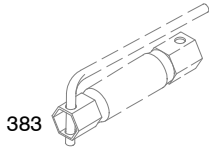
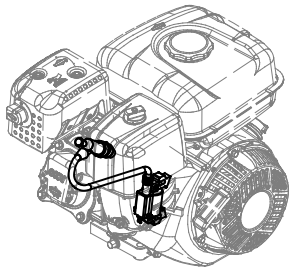
Illustrations cover a range of engines. Parts shown without text may not be used on your specific engine.



Illustrations cover a range of engines. Parts shown without text may not be used on your specific engine.



Illustrations cover a range of engines. Parts shown without text may not be used on your specific engine.



Illustrations cover a range of engines. Parts shown without text may not be used on your specific engine.

REF. NO.	PART NO.	DESCRIPTION	REF. NO.	PART NO.	DESCRIPTION	REF. NO.	PART NO.	DESCRIPTION
1		Cylinder Assembly (Currently Not Available)	22		Screw (Crankcase Cover/Sump) (Currently Not Available)	118	595847	Jet- Main (High Altitude)
3		Seal- Oil (Magneto Side) (Not Available Individually) (See Reference 358 For Replacement)	23	596299	Flywheel	121	594133	Kit- Carburetor Overhaul
5	596291	Head- Cylinder	24	797812	Key- Flywheel	122	596294	Spacer- Carburetor
7		Gasket- Cylinder Head (Not Available Individually) (See Reference 358 For Replacement)	25	594128	Piston Assembly (Standard)	125	594131	Carburetor
11	797262	Tube- Breather	28	596287	Pin- Piston	137		Gasket- Float Bowl (Not Available Individually) (See Reference 121 For Replacement)
12		Gasket- Crankcase (Not Available Individually) (See Reference 358 For Replacement)	29	594127	Rod- Connecting	163A		Gasket- Air Cleaner (Not Available Individually) (See Reference 121, 125 & 358 For Replacement)
13		Screw (Cylinder Head) (Currently Not Available)	33	594145	Valve- Exhaust	187	594142	Line- Fuel (Formed Hose)
15	797215	Plug- Oil Drain	34	594144	Valve- Intake	202	596301	Link- Mechanical Governor
16	594138	Crankshaft Used on Type No(s). 0001, 0003, 0012, 0016, 0020. ----- Note ----- 594139 Crankshaft Used on Type No(s). 0017, 0018, 0019. 594137 Crankshaft Used on Type No(s). 0002, 0010.	35	797203	Spring- Valve (Intake)	209	596302	Spring- Governor
			36	797203	Spring- Valve (Exhaust)	222	596303	Bracket- Control
			37	596283	Guard- Flywheel	227	797231	Lever- Governor Control
			45		Tappet- Valve (Currently Not Available)	238	797206	Cap- Valve
			46	596286	Camshaft	240		Filter- Fuel (Not Available Individually) (See Reference 972 For Replacement)
			51		Gasket- Intake (Not Available Individually) (See Reference 121, 125 & 358 For Replacement)	286	797772	Module- Oil Sensor
			51A		Gasket- Intake (Not Available Individually) (See Reference 121, 125 & 358 For Replacement)	300	594130	Muffler
			53	797278	Stud (Carburetor)	304	596296	Housing- Blower ----- Note ----- 596295 Housing- Blower Used on Type No(s). 0016.
			58	691921	Rope- Starter (Cut To Required Length)	306	596285	Shield- Cylinder
17	596284	Bearing- Ball	104		Pin- Float Hinge (Not Available Individually) (See Reference 121 For Replacement)	332	797285	Nut (Flywheel)
18	596288	Cover- Crankcase Used on Type No(s). 0001, 0003, 0012, 0016, 0019, 0020. ----- Note ----- 596289 Cover- Crankcase Used on Type No(s). 0002, 0010, 0017, 0018.	105		Valve- Float Needle (Not Available Individually) (See Reference 121 For Replacement)	333	797343	Armature- Magneto
			106		Seat- Inlet (Not Available Individually - See Reference 121)	337	798615	Plug- Spark
			117	595846	Jet- Main (Standard)	347	596300	Switch- Rocker
20		Seal- Oil (PTO Side) (Not Available Individually) (See Reference 358 For Replacement)				357	590719	Key- Drive Pulley Used on Type No(s). 0001, 0003, 0012, 0016, 0020. ----- Note ----- 798305 Key- Drive Pulley Used on Type No(s). 0010.

Illustrations cover a range of engines. Parts shown without corresponding text may not be used on your specific engine.
10549-9 Assemblies include all parts shown in frames. 11/01/2016

10U200

REF. NO.	PART NO.	DESCRIPTION	REF. NO.	PART NO.	DESCRIPTION	REF. NO.	PART NO.	DESCRIPTION
358	594129	Gasket Set- Engine	868		Seal- Valve (Intake)	1023	797196	Cover- Rocker Arm
383		Wrench- Spark Plug (Currently Not Available)			(Currently Not Available)	1026		Rod- Push (Currently Not Available)
412	799830	Nut (Air Cleaner Cover)	875	596293	Base- Air Cleaner	1029	797202	Arm- Rocker
445	594146	Filter- Air Cleaner Cartridge	883		Gasket- Exhaust (Not Available Individually) (See Reference 300 & 358 For Replacement)	1034		Guide- Push Rod (Currently Not Available)
455	596297	Cup- Flywheel	950		Screw- Float Bowl (Not Available Individually) (See Reference 121 For Replacement)	1036		Label- Emissions (Available From A Briggs & Stratton Authorized Dealer)
467	691985	Knob- Air Cleaner Cover	951		Lever- Choke (Not Available Individually) (See Reference 121 & 125 For Replacement)	1052	798631	Sensor- Oil
522	594143	Plug- Dipstick/Fill	957	594135	Cap- Fuel Tank	1210		Pulley/Spring Assembly (Pulley) (Not Available Individually) (See Reference 608 For Replacement)
608	594136	Starter- Rewind	968	596292	Cover- Air Cleaner	1211		Pulley/Spring Assembly (Spring) (Not Available Individually) (See Reference 608 For Replacement)
616	596282	Crank- Governor	972	594134	Tank- Fuel			
621		Switch- Stop (Currently Not Available)	994	596327	Arrestor- Spark			
676	797352	Deflector- Muffler	1005	596298	Fan- Flywheel			
789	596304	Harness- Wiring Used on Type No(s). 0001, 0010, 0012.	1022		Gasket- Rocker Cover (Not Available Individually) (See Reference 358 For Replacement)	1319	794467	Label- Warning
789A	596306	Harness- Wiring Used on Type No(s). 0016.				1319A	797669	Label- Warning
789B	596305	Harness- Wiring Used on Type No(s). 0002, 0003, 0017, 0018, 0019, 0020.						
830	797200	Stud- Rocker Arm						
842		Seal- O Ring (Dipstick Tube) (Not Available Individually) (See Reference 358 & 522 For Replacement)						

Illustrations cover a range of engines. Parts shown without corresponding text may not be used on your specific engine.
 10549- 10 Assemblies include all parts shown in frames. 11/01/2016

Not for
Reproduction

Not for
Reproduction

